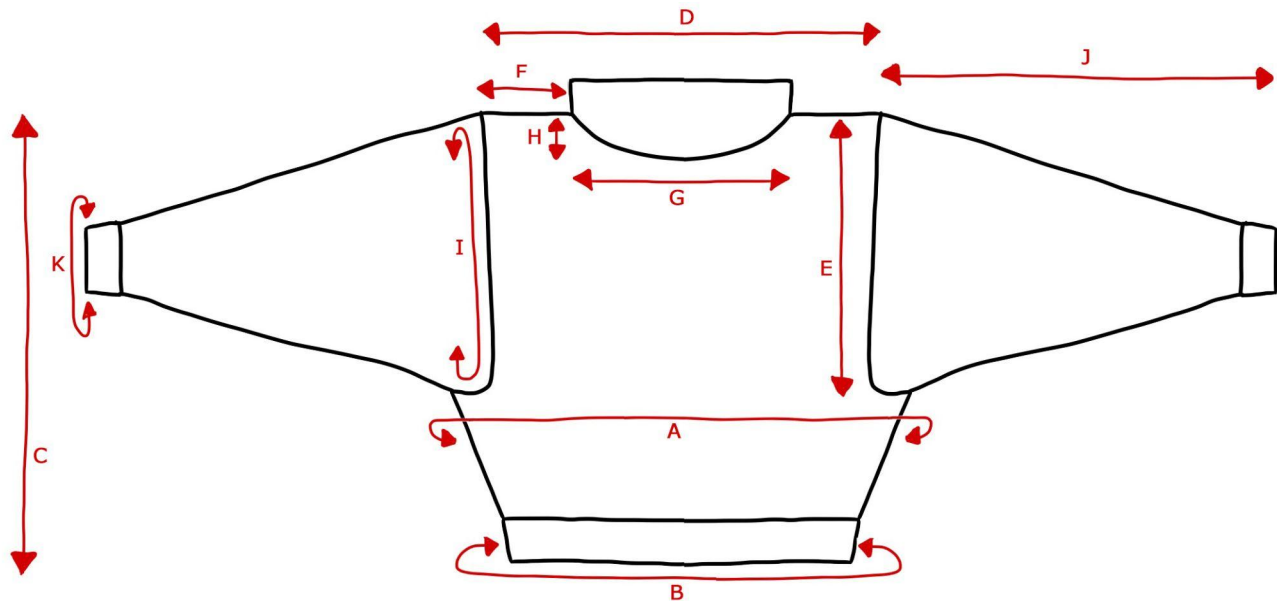


SCHEMATIC FILE FOR REFERENCE



Pattern Finished Measurements in inches

A - Full bust circumference	30	32	35	38	41	44	47	50	53	56	59	62
B - Waist circumference	24	26	29	32	35	38	41	44.5	47.5	50.5	53.5	56.5
C - Body length	17.75	17.75	17.75	17.75	18.75	18.75	18.75	18.75	19.75	19.75	19.75	19.75
D - Cross back width	14.75	15	15.25	15.75	16.25	16.75	17	17.5	17.75	18.25	18.5	19
E - Armhole depth (exaggerated)	10.5	10.5	10.75	11	11.5	11.5	11.75	12	12.5	12.5	12.75	12.75
F - Shoulder width (dropped shoulder)	2.875	3	3	3.25	3.25	3.5	3.375	3.625	3.5	3.75	3.625	3.875
G - Back neck width (boat neck)	9	9	9.25	9.25	9.75	9.75	10.25	10.25	10.75	10.75	11.25	11.25
H - Front neck drop	1.75	1.75	1.75	1.75	1.75	1.75	1.75	1.75	1.75	1.75	1.75	1.75
I - Upper arm circumference (batwing sleeve)	23	23.67	23.67	24.33	25	25	26	26.67	27.33	27.33	27.67	28
J - Sleeve length	17.25	17.25	17.25	17.25	17.25	17.25	18.25	18.25	18.25	18.25	18.25	18.25
K - Wrist circumference	7.5	7.75	8	8.25	8.5	8.75	9	9.25	9.5	9.75	10	10.25

Pattern Finished Measurements in centimeters

A - Full bust circumference	76.25	81.25	89	96.5	104.25	111.75	119.5	127	134.5	142.25	149.75	157.5
B - Waist circumference	61	66	73.75	81.25	89	96.5	104.25	113	120.75	128.25	136	143.5
C - Body length	45	45	45	45	47.75	47.75	47.75	47.75	50.25	50.25	50.25	50.25
D - Cross back width	37.5	38	38.75	40	41.25	42.5	43.25	44.5	45	46.25	47	48.25
E - Armhole depth (exaggerated)	26.75	26.75	27.25	28	29.25	29.25	29.75	30.5	31.75	31.75	32.5	32.5
F - Shoulder width (dropped shoulder)	7.25	7.5	7.5	8.25	8.25	9	8.5	9.25	9	9.5	9.25	9.75
G - Back neck width (boat neck)	22.75	22.75	23.5	23.5	24.75	24.75	26	26	27.25	27.25	28.5	28.5
H - Front neck drop	4.5	4.5	4.5	4.5	4.5	4.5	4.5	4.5	4.5	4.5	4.5	4.5
I - Upper arm circumference (batwing sleeve)	58.5	60	60	61.75	63.5	63.5	66	67.75	69.5	69.5	70.25	71
J - Sleeve length	43.75	43.75	43.75	43.75	43.75	43.75	46.25	46.25	46.25	46.25	46.25	46.25
K - Wrist circumference	19	19.75	20.25	21	21.5	22.25	22.75	23.5	24.25	24.75	25.5	26

